



**SAFETYBOX®  
STORAGE OF  
CHEMICALS  
ACIDS  
BASES**

Safety cabinets for the storage of chemicals,  
acids and bases products.

**INDEX**

CHEMICALS FORCED VENTILATION.....	19
CHEMICALS NATURAL VENTILATION.....	23
CHEMICALS UNDERBENCH.....	25
ACCESSORIES.....	27

AA 120 NEW  
AA 600 NEW

Cabinet with aspirator and filter, TÜV and CE certified  
In compliance with EN 61010-1, EN 14727, TEST PPP  
52125A



AA 120 NEW



AA 600 NEW



- Completely produced in pickled and electrogalvanized steel, 10/10 mm thickness, painted with epoxide acid-proof dusts. Thickness of painting from a minimum of 60µm (micron) to a maximum of 250µm (micron) as per UNI EN ISO 9001 procedure.
- **Monolithic construction, resistant to corrosive products.**
- **Certified palletized base:** for easier transportation of the cabinet.
- **3 tray-shaped shelves adjustable in height by racks, with bottom basin,** made of electrogalvanized steel painted with epoxide acid-proof dusts.
- Doors opening up to 110°.
- Acid-proof hidden hinges.
- Security lock with key and extractable cylinder.
- **E-Flow® smart aspiration system** (standard on models AA120NEW, AAW120NEW).
- **Activated charcoal filter Carbox® with electronic device Cunctator®** for charcoal filter replacement.
- **Electroaspirator IMQ IPX4,** in compliance with EN 60335-1, EN 60335-2-80 and EN 50366 norms.
- Input voltage: Volt 220/230.
- Max absorbed power: 65W.
- ON/OFF lamp.
- "Danger" warning stickers.
- Grounding connection to discharge build-up of static electricity.
- Levelling feet for balance.
- **"Product and public liability insurance" valid for all lifelong of the cabinet.**
- Usage and maintenance manual.
- **Packaging with "Tipping over system®" device.**

OTHER AVAILABLE MODELS

AAW 120 NEW - AAW 600 NEW

- With window door.

AAF 120 NEW

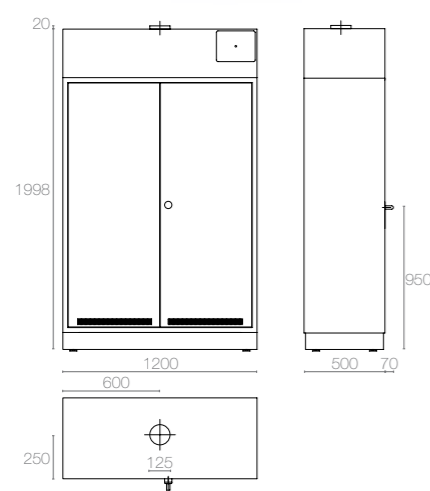
- With on/off programmed timer.
- Not TÜV certified.



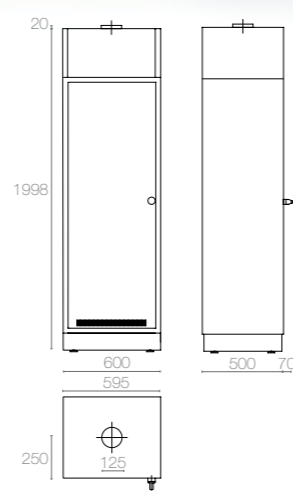
AAW 120 NEW



AAW 600 NEW



**AA 120 NEW**  
-External dimensions (LxDxH): 1200x500x1998 mm  
-Internal dimensions (LxDxH): 1120x450x1500 mm  
-Weight: 155 Kg  
-Storage capacity: ~766 lt  
-Shelf loading: 100 kg



**AA 600 NEW**  
-External dimensions (LxDxH): 600x500x1998 mm  
-Internal dimensions (LxDxH): 530x450x1500 mm  
-Weight: 95 Kg  
-Storage capacity: ~357 lt  
-Shelf loading: 100 kg

AB 600  
AB 1100

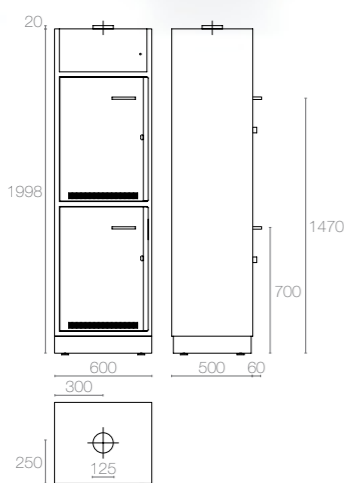
Cabinet with aspirator and filter, TÜV and CE certified  
In compliance with EN 61010-1, EN 14727, TEST PPP  
52125A.



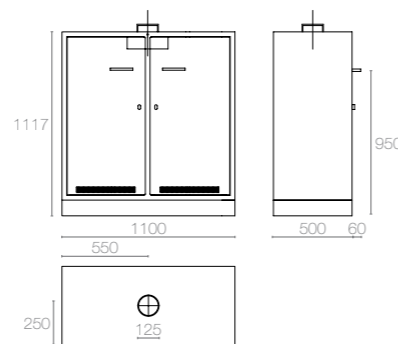
AB 600



AB 1100



**AB 600**  
-External dimensions (LxDxH): 600x500x1998 mm  
-Internal dimensions (LxDxH): 520x440x765+726 mm  
-Weight: 100 Kg  
-Storage capacity: ~341 lt  
-Shelf loading: 100 kg



**AB 1100**  
-External dimensions (LxDxH): 1100x500x1117 mm  
-Internal dimensions (LxDxH): 490+490x465x1020 mm  
-Weight: 75 Kg  
-Storage capacity: ~464 lt  
-Shelf loading: 100 kg



- Completely produced in pickled and electrogalvanized steel, 10/10 mm thickness, painted with epoxide acid-proof dusts. Thickness of painting from a minimum of 60µm (micron) to a maximum of 250µm (micron) as per UNI EN ISO 9001 procedure.
- **Monolithic construction, resistant to corrosive products.**
- **Certified palletized base:** for easier transportation of the cabinet.
- 2 separate sections, one for acid and one for base products, **tray shaped shelves adjustable in height by racks, and bottom basin.**
- Doors opening up to 110°.
- Acid-proof hidden hinges.
- Security lock with key and extractable cylinder.
- **Activated charcoal filter Carbox® with electronic device Cunctator®** for charcoal filter replacement.
- **Electroaspirator IMQ IPX4**, in compliance with EN 60335-1, EN 60335-2-80 and EN 50366 norms.
- Input voltage: Volt 220/230.
- Max absorbed power: 65W.
- ON/OFF lamp.
- "Danger" warning stickers.
- Grounding connection to discharge build-up of static electricity.
- Levelling feet for balance.
- **"Product and public liability insurance" valid for all lifelong of the cabinet.**
- Usage and maintenance manual.
- **Packaging with "Tipping over system®" device.**

OTHER AVAILABLE MODELS

AB 30/30 EST

- 2 separate vertical pull-out compartments.
- 4 shelves adjustable in height with tray-shaped container for each section.
- Shelf capacity kg 25.



AB 30/30 EST

A 120 NEW  
A 600 NEW

Cabinet predisposed for connection to a central aspiration system.



A 120 NEW



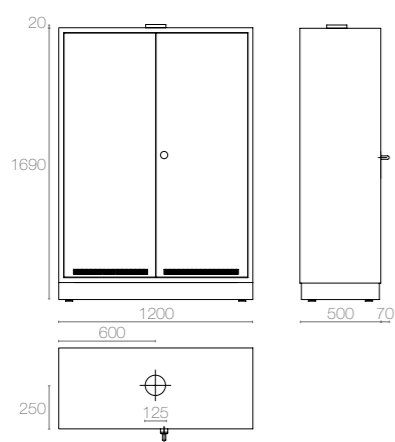
A 600 NEW

- Completely produced in pickled and electrogalvanized steel, 10/10 mm thickness, painted with epoxide acid-proof dusts.
- Thickness of painting from a minimum of 60µm (micron) to a maximum of 250µm (micron) as per UNI EN ISO 9001 procedure.
- Arranged for connection to an external aspiration system.
- **External monolithic construction, internal body resistant to corrosive products.**
- **Certified palletized base:** for easier transportation of the cabinet.
- 3 tray-shaped shelves adjustable in height by racks, with bottom basin, made of electrogalvanized steel painted with epoxide acid-proof dusts.
- Doors opening up to 110°.
- Acid-proof hidden hinges.
- Security lock with key and extractable cylinder.
- "Danger" warning stickers.
- Grounding connection to discharge build-up of static electricity.
- Levelling feet for balance.
- **"Product and public liability insurance" valid for all lifelong of the cabinet.**
- Usage and maintenance manual.
- Packaging with "Tipping over system®" device.

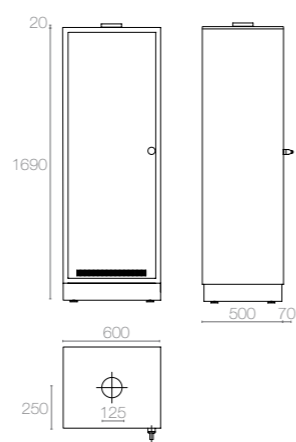
OTHER AVAILABLE MODELS

AW 120 NEW - AW 600 NEW

- Window doors.



**A 120 NEW**  
 -External dimensions (LxDxH): 1200x500x1690 mm  
 -Internal dimensions (LxDxH): 1120x450x1500 mm  
 -Weight: 125 Kg  
 -Storage capacity: ~766 lt  
 -Shelf loading: 100 kg



**A 600 NEW**  
 -External dimensions (LxDxH): 600x500x1690 mm  
 -Internal dimensions (LxDxH): 530x450x1500 mm  
 -Weight: 80 Kg  
 -Storage capacity: ~357 lt  
 -Shelf loading: 100 kg



AW 120 NEW



AW 600 NEW

**AB 1200/50**  
**AB 900/50**  
**A 600/50**

Underbench cabinet with aspirator and filter, TÜV and CE certified.  
 In compliance with EN 61010-1, EN 14727, TEST PPP 52125A.



AB 1200/50



AB 900/50



A 600/50

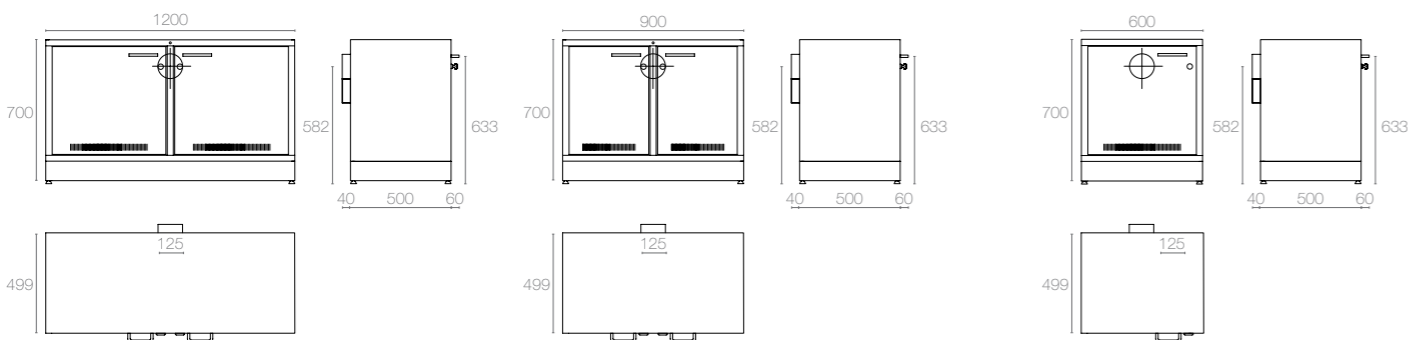


- Completely produced in pickled and electrogalvanized steel, 10/10 mm thickness, painted with epoxide acid-proof dusts. Thickness of painting from a minimum of 60µm (micron) to a maximum of 250µm (micron) as per UNI EN ISO 9001 procedure.
- **Monolithic construction, resistant to corrosive products.**
- **Certified palletized base:** for easier transportation of the cabinet.
- 2 separate sections, one for acid and one for base products (depending on the model).
- **Watertight bottom basin with drilled shelf.**
- Doors opening up to 110°.
- Acid-proof hidden hinges.
- Security lock with key and extractable cylinder.
- **Electroaspirator IMQ IPX4**, in compliance with EN 60335-1, EN 60335-2-80 and EN 50366 norms.
- **Arranged for activated charcoal filter Carbox® with electronic device Cunctator®** for charcoal filter replacement.
- Input voltage: Volt 220/230.
- Max absorbed power: 65W.
- ON/OFF lamp.
- "Danger" warning stickers.
- Grounding connection to discharge build-up of static electricity.
- Levelling feet for balance.
- **"Product and public liability insurance" valid for all lifelong of the cabinet.**
- Usage and maintenance manual.
- Packaging with "Tipping over system®" device.

**OTHER AVAILABLE MODELS**

**MF1 - MF3**

- Board or wall cabinet for the storage of poorly aggressive products.
- Security lock with key.
- 2 removable shelves.
- Not aspirated.
- Not TÜV certified.



**AB 1200/50**  
 •External dimensions (LxDxH): 1200x500x700 mm  
 •Internal dimensions (LxDxH): 530+530x465x555 mm  
 •Weight: 70 Kg  
 •Storage capacity: ~295 lt  
 •Shelf loading: 100 kg

**AB 900/50**  
 •External dimensions (LxDxH): 900x500x700 mm  
 •Internal dimensions (LxDxH): 450+450x465x555 mm  
 •Weight: 55 Kg  
 •Storage capacity: ~224 lt  
 •Shelf loading: 100 kg

**A 600/50**  
 •External dimensions (LxDxH): 600x500x700 mm  
 •Internal dimensions (LxDxH): 530x465x555 mm  
 •Weight: 45 Kg  
 •Storage capacity: ~147 lt  
 •Shelf loading: 100 kg



**BOX VELENI MF1**  
 •External dimensions (LxDxH): 465x200x500 mm  
**BOX VELENI MF3**  
 •External dimensions (LxDxH): 550x350x595 mm

# Accessories



## E-FLOW® ASPIRATION SYSTEM

for energy saving and maximum safety of the operator.



## ANTIMICROBIAL PAINT

to prevent any bacteria proliferation on the treated surfaces, through release of silver ions.



## ACTIVATED CHARCOAL FILTER

on demand treated for formaldehyde and other substances.



## KIT01

Aspirator and filter for chemicals, acids, bases storage cabinets.



## PROPYLENE BASIN

Possibility to supply the shelves with PP basin.



## ADDITIONAL SHELVES

made of acid-proof painted steel or AISI 304 STAINLESS STEEL.



## PARTITION WALL KIT

for 120 series, with shelves and racks included.



## ECOBIX® PVC

Container for polluting liquids with full/empty signaling device. Customized dimensions.



## STAINLESS STEEL ECOBIX®

Container for polluting liquids with full/empty signaling device. Customized dimensions.



## TOUCH CODE

Opening doors' system through fingerprint detection, with ability to record multiple users.

