



**SAFETYBOX®**  
**STORAGE OF**  
**FLAMMABLE**  
**SUBSTANCES**

odium hydroxyde 0.25 mol/l  
 (N/4)  
 sodio hidróxido 0.25 mol/l (N/4)  
 Natronlauge 0.25 mol/l (N)

JN 1824  
 Batch Number 1B719071C  
 Expiry Date 2013/02

Safety cabinets for the storage of liquid and solid flammable products in compliance with **EN 14470-1, EN 14727.**

**INDEX**

FLAMMABLES SMART ..... 09

FLAMMABLES CM ..... 11

FLAMMABLES UNDERBENCH..... 13

ACCESSORIES..... 15

**AC 1200 S**  
**AC 900 S**  
**AC 600 S**

The most elegant, innovative and lighter safety cabinet on the market.  
 "TYPE 90" FIRE RESISTANCE – 90 MINUTES.



AC 1200 S

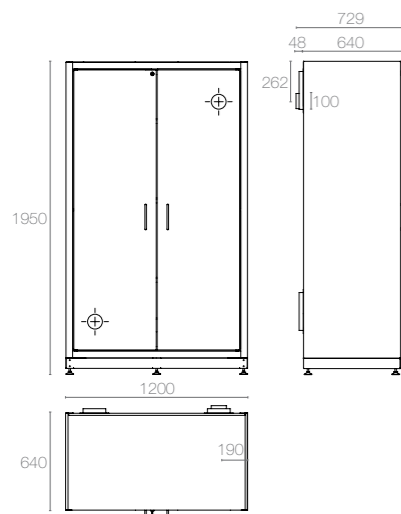


AC 600 S

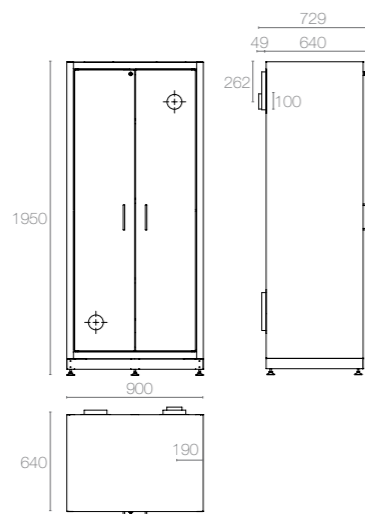


- Completely produced in pickled steel, 10/10 mm thickness, painted with epoxide acid-proof dusts and passage through thermic tunnel at 200°C. Thickness of painting from a minimum of 60µm (micron) to a maximum of 250µm (micron) as per UNI EN ISO 9001 procedure.
- **Certified palletized base:** for easier transportation of the cabinet.
- **External monolithic construction, internal body resistant to corrosive products.**
- Innovative fire-proof insulation made of highly fire resistant material, completely ecological.
- **Double, inflatable and anti-dust trimmings, with protection against "cold and hot fumes".**
- Door's closure with **thermic device at 50°C. Not electric.**
- **Patented safety catch "Ignis-lock®"** that keeps the doors closed in case of fire.
- Two mechanical certified safety valves with automatic closure at 70 ± 10°C. (Ø 100 mm).
- **3 tray-shaped shelves adjustable in height by racks, and bottom basin;** all made of electrogalvanized steel painted with epoxide acid-proof dusts.
- Security lock with key and extractable cylinder.
- "Danger" warning stickers (DIN 4844 and ISO 3864).
- Grounding connection to discharge build-up of static electricity.
- Levelling feet for balance.
- **"Product and public liability insurance" valid for all lifelong of the cabinet.**
- Usage and maintenance manual.
- **Packaging with "Tipping over system®" device.**

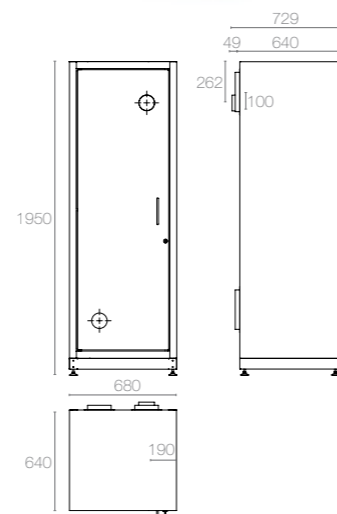
- **LIGHTER**
- **MORE ROOMY**
- **OPENING WITH NO EXTERNAL HINGES**
- **INTERNAL IGNIS-LOCK®**



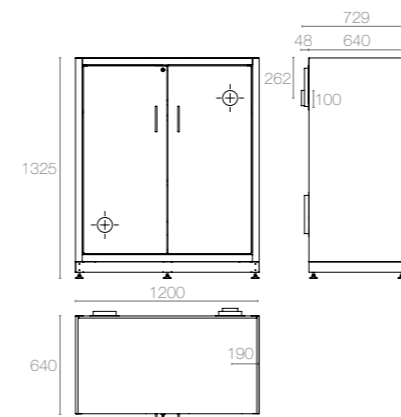
**AC 1200 S**  
 -External dimensions (LxDxH): 1200x640x1950 mm  
 -Internal dimensions (LxDxH): 1053x495x1731 mm  
 -Weight: 380 Kg  
 -Storage capacity: ~902 lt  
 -Shelf loading: 80 Kg



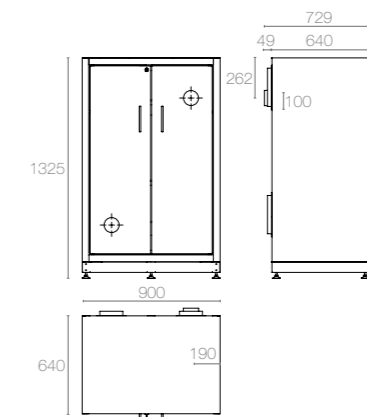
**AC 900 S**  
 -External dimensions (LxDxH): 900x640x1950 mm  
 -Internal dimensions (LxDxH): 753x495x1731 mm  
 -Weight: 310 Kg  
 -Storage capacity: ~645 lt  
 -Shelf loading: 80 Kg



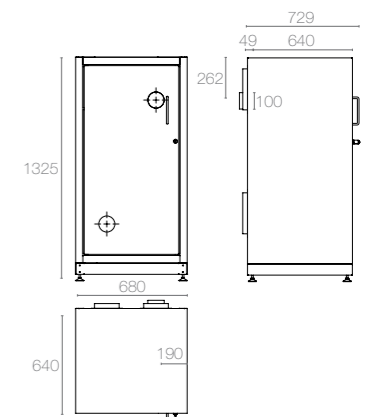
**AC 600 S**  
 -External dimensions (LxDxH): 680x640x1950 mm  
 -Internal dimensions (LxDxH): 533x495x1731 mm  
 -Weight: 252 Kg  
 -Storage capacity: ~456 lt  
 -Shelf loading: 80 Kg



**AC 1200/130 S**  
 -External dimensions (LxDxH): 1200x640x1325 mm  
 -Internal dimensions (LxDxH): 1053x495x1110 mm  
 -Weight: 275 kg  
 -Storage capacity: ~578 lt  
 -Shelf loading: 80 Kg



**AC 900/130 S**  
 -External dimensions (LxDxH): 900x640x1325 mm  
 -Internal dimensions (LxDxH): 753x495x1110 mm  
 -Weight: 224 kg  
 -Storage capacity: ~413 lt  
 -Shelf loading: 80 Kg



**AC 600/130 S**  
 -External dimensions (LxDxH): 680x640x1325 mm  
 -Internal dimensions (LxDxH): 533x495x1110 mm  
 -Weight: 187 kg  
 -Storage capacity: ~292 lt  
 -Shelf loading: 80 Kg

**OTHER AVAILABLE MODELS**

**HEIGHT 1300 MM AVAILABLE ON DEMAND**

**AC 1200 CM  
AC 600 CM**

“TYPE 90” fire resistance – 90 minutes TÜV Certified.



AC 1200 CM



AC 600 CM



- Completely produced in pickled steel, 10/10 mm thickness, painted with epoxide acid-proof dusts and passage through thermic tunnel at 200°C. Thickness of painting from a minimum of 60µm (micron) to a maximum of 250µm (micron) as per UNI EN ISO 9001 procedure.
- **Certified palletized base:** for easier transportation of the cabinet.
- **External monolithic construction, internal body resistant to corrosive products.**
- Fire-proof insulation made of highly fire resistant material, completely ecological.
- **Double, inflatable and anti-dust trimmings, with protection against “cold and hot fumes”.**
- Door's closure with **thermic device at 50°C. Not electric.**
- **Patented safety catch “Ignis-lock®”** that keeps the doors closed in case of fire.
- Two mechanical certified safety valves with automatic closure at 70 ± 10°C. (Ø 100 mm).
- **3 tray-shaped shelves adjustable in height by racks, and bottom basin;** all made of electrogalvanized steel painted with epoxide acid-proof dusts.
- Anti-spark hinges.
- Security lock with key and extractable cylinder.
- “Danger” warning stickers (DIN 4844 and ISO 3864).
- Grounding connection to discharge build-up of static electricity.
- Levelling feet for balance.
- **“Product and public liability insurance” valid for all lifelong of the cabinet.**
- Usage and maintenance manual.
- **Packaging with “Tipping over system®” device.**

**ACCESSORIES**

**Easy Going®.** Rolling system to easily move the cabinet for short distances. (standard on AC 1200 CM).

**OTHER AVAILABLE MODELS**

**AC 1200 CM E - AC 600 CM E**

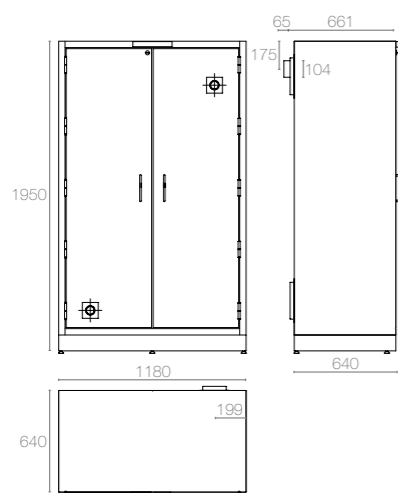


- **3 fixed shelves, not on racks, with bottom basin.**
- **No patented safety catch “Ignis-lock®”.**
- Light packing

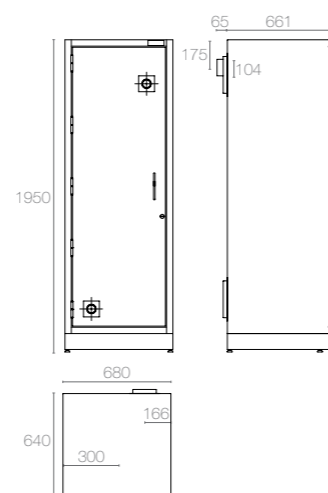
**AC 1200 T30 - AC 600 T30**



“Type 30” Fire resistance– 30 minutes.



**AC 1200 CM**  
 -External dimensions (LxDxH): 1180x640x1950 mm  
 -Internal dimensions (LxDxH): 1015x445x1685 mm  
 -Weight: 490 Kg  
 -Storage capacity: ~ 761 lt  
 -Shelf loading: 80 kg



**AC 600 CM**  
 -External dimensions (LxDxH): 680x640x1950 mm  
 -Internal dimensions (LxDxH): 515x445x1685 mm  
 -Weight: 350 Kg  
 -Storage capacity: ~ 386 lt  
 -Shelf loading: 80 kg



**AC 1200/50 CM**  
**AC 900/50 CM**  
**AC 600/50 CM**

“TYPE 90” fire resistance – 90 minutes TÜV Certified.



AC 1200/50 CM



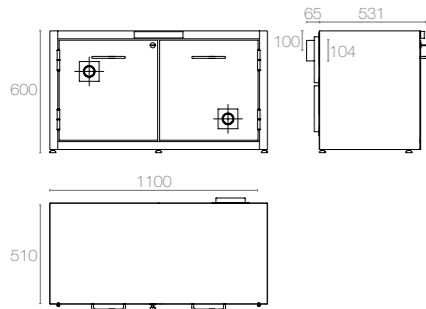
AC 900/50 CM



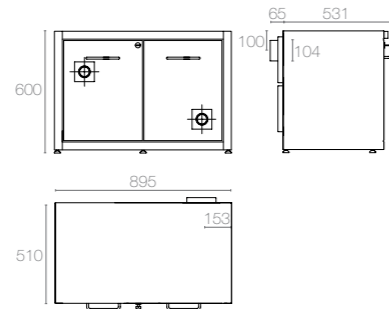
AC 600/50 CM



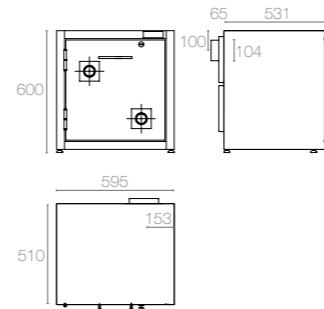
**KIT05**  
 Certified device to pour liquids, for underbench cabinets.



**AC 1200/50 CM**  
 -External dimensions (LxDxH): 1100x510x600 mm  
 -Internal dimensions (LxDxH): 935x395x445 mm  
 -Weight: 170 Kg  
 -Storage capacity: ~164 lt  
 -Shelf loading: 80 kg



**AC 900/50 CM**  
 -External dimensions (LxDxH): 895x510x600 mm  
 -Internal dimensions (LxDxH): 730x335x440 mm  
 -Weight: 145 Kg  
 -Storage capacity: ~114 lt  
 -Shelf loading: 80 kg



**AC 600/50 CM**  
 -External dimensions (LxDxH): 595x510x600 mm  
 -Internal dimensions (LxDxH): 430x395x445 mm  
 -Weight: 100 Kg  
 -Storage capacity: ~75 lt  
 -Shelf loading: 80 kg



- Completely produced in pickled steel, 10/10 mm thickness, painted with epoxide acid-proof dusts and passage through thermic tunnel at 200°C. Thickness of painting from a minimum of 60µm (micron) to a maximum of 250µm (micron) as per UNI EN ISO 9001 procedure.
- **External monolithic construction, internal body resistant to corrosive products.**
- New fire-proof insulation made of highly fire resistant material, completely ecological.
- **Double, inflatable and anti-dust trimmings, with protection against “cold and hot fumes”.**
- Door's closure with **thermic device at 50°C. Not electric.**
- **Patented safety catch “Ignis-lock®”** that keeps the doors closed in case of fire.
- Two mechanical certified safety valves with automatic closure at 70 ± 10°C. (Ø 100 mm).
- **Bottom basin with drilled shelf**, made of electrogalvanized steel painted with epoxide acid-proof dusts.
- Security lock with key and extractable cylinder.
- “Danger” warning stickers (DIN 4844 and ISO 3864).
- Grounding connection to discharge build-up of static electricity.
- Levelling feet for balance.
- **“Product and public liability insurance” valid for all lifelong of the cabinet.**
- Usage and maintenance manual.
- Packaging with **“Tipping over system®”** device.

**OTHER AVAILABLE MODELS: WITH DRAWER**

**AC 1200/50 CM DD - AC 1200/50 CM D**  
**AC 900/50 CM D - AC 600/50 CM D**

- Safety closing system for drawer with thermic device at 50°C. Not electric.
- No patented safety catch “Ignis-lock®”.



AC 1200/50 CM DD



AC 1200/50 CM D



AC 900/50 CM D



AC 600/50 CM D

# Accessories



**KIT05**  
**CERTIFIED** device  
to pour liquids,  
for underbench  
cabinets.

**UNICUM  
ASPIRATOR  
AND FILTER**

in a single box  
(possibility to  
supply it with  
thermostat).



**EXHAUST FUMES  
CONVEYOR.**

**ANTI-SPARK  
OR ATEX  
ASPIRATORS**  
220V/230V.



**INTERNAL  
FILTRATION  
SYSTEM**  
with activated  
charcoal filter and  
**Cunctator®**.



**CUBETTO®**  
Controlled cooling unit for safety  
cabinets **Safetybox®** with  
recorded memory device.

**ECOBIX® PVC**

Container for  
polluting liquids  
with full/empty  
signaling device.  
Customized  
dimensions.



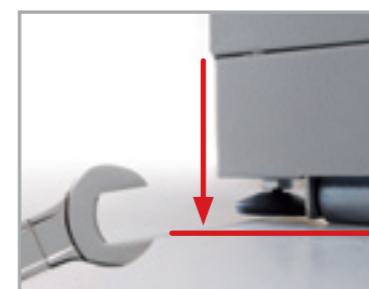
**STAINLESS  
STEEL ECOBOX®**

Container for  
polluting liquids  
with full/empty  
signaling device. Customized  
dimensions.



**ADDITIONAL  
SHELVES**

made of acid-proof  
painted steel or AISI  
304 STAINLESS  
STEEL.



**EASY-GOING®**

Roller system for  
short moving.



**EASY-ROLLER®**

Rolling system to be  
positioned under the cabinet  
for easy handling during  
logistics.



**TOUCH CODE**

Opening doors'  
system through  
fingerprint detection,  
with ability to record  
multiple users.