



SAFETYBOX®
KEMFIRE®

Safety cabinets for the combined storage of chemicals acids and bases and flammable products.

INDEX

KEMFIRE® TALL	31
KEMFIRE® UNDERBENCH	33
ACCESSORIES	37

KEMFIRE® 1100 A KEMFIRE® 600 A

Cabinet in compliance with EN 14727, EN 61010-1, EN 14470-1 and PPP 52125A.
"TYPE 90" fire resistance - 90 minutes.
TÜV and CE certified.



KEMFIRE® 1100 A



KEMFIRE® 600 A



- Completely produced in pickled steel, 10/10 mm thickness, painted with epoxide acid-proof dusts and passage through thermic tunnel at 200°C. Thickness of painting from a minimum of 60µm (micron) to a maximum of 250µm (micron) as per UNI EN ISO 9001 procedure.
- **External monolithic construction, internal body resistant to corrosive products.**
- Security lock with key and extractable cylinder.
- "Danger" warning stickers (DIN 4844 and ISO 3864).
- Grounding connection to discharge build-up of static electricity.
- Levelling feet for balance.
- **"Product and public liability insurance" valid for all lifelong of the cabinet.**
- Usage and maintenance manual.
- Packaging with "Tipping over system®" device.

COMPARTMENT FOR CHEMICALS ACIDS BASES PRODUCTS

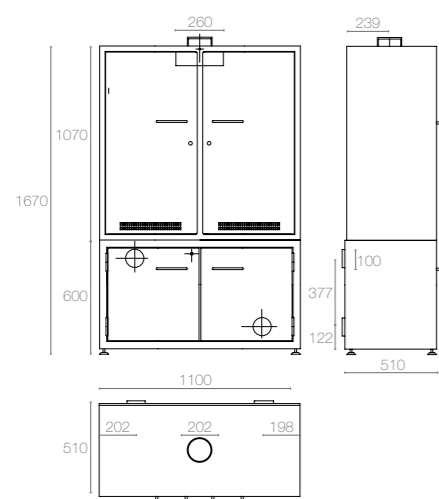
- Tray-shaped shelves adjustable in height by racks, with bottom basin, made of electrogalvanized steel painted with epoxide acid-proof dusts.
- Activated charcoal filter Carbox® with electronic device Cunctator® for charcoal filter replacement.
- Electroaspirator IMQ IPX4, in compliance with EN 60335-1, EN 60335-2-80 and EN 50366 norms with ON/OFF lamp.
- Input voltage: Volt 220/230.
- Max absorbed power: 65W.

COMPARTMENT FOR FLAMMABLES PRODUCTS

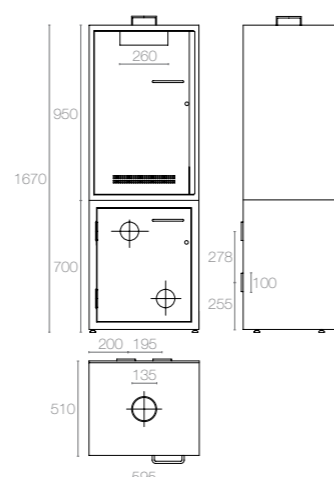
- Fire-proof insulation made of highly fire resistant material, completely ecological.
- Double, inflatable and anti-dust trimmings, and with protection against "cold and hot fumes".
- Door's closure with thermic device at 50°C. Not electric.
- Patented safety catch "Ignis-lock®" that keeps the doors closed in case of fire.
- Two mechanical certified safety valves with automatic closure at 70 ± 10°C. (Ø 100 mm).
- Bottom basin with drilled shelf, made of electrogalvanized steel painted with epoxide acid-proof dusts.

OTHER AVAILABLE MODELS FOR FLAMMABLES COMPARTMENT

- Possibility to supply the cabinet with extractable drawer.



KEMFIRE® 1100 A
 -External dimensions (LxDxH): 1100x510x1670 mm
 -Internal dimensions compartment for chemicals (LxDxH): 490x490x465x1020 mm
 -Internal dimensions compartment for flammables (LxDxH): 935x395x445 mm
 -Weight: 300 Kg
 -Storage capacity: ~465+164 lt
 -Shelf loading: 80/100 kg



KEMFIRE® 600 A
 -External dimensions (LxDxH): 595x510x1670 mm
 -Internal dimensions compartment for chemicals (LxDxH): 510x474x924 mm
 -Internal dimensions compartment for flammables (LxDxH): 430x355x537 mm
 -Weight: 185 Kg
 -Storage capacity: ~220+75 lt
 -Shelf loading: 80/100 kg

KEMFIRE® 1000/50 TYPE A

KEMFIRE® 1200/50 TYPE A

Cabinet in compliance with EN 14727, EN 61010-1, EN 14470-1 and PPP 52125A.
"TYPE 90" fire resistance - 90 minutes.
TÜV and CE certified.



KEMFIRE®
1000/50 TYPE A



KEMFIRE®
1200/50 TYPE A



- Completely produced in pickled steel, 10/10 mm thickness, painted with epoxide acid-proof dusts and passage through thermic tunnel at 200°C. Thickness of painting from a minimum of 60µm (micron) to a maximum of 250µm (micron) as per UNI EN ISO 9001 procedure.
- **External monolithic construction, internal body resistant to corrosive products.**
- Security lock with key and extractable cylinder.
- "Danger" warning stickers (DIN 4844 and ISO 3864).
- Grounding connection to discharge build-up of static electricity.
- Levelling feet for balance.
- **"Product and public liability insurance" valid for all lifelong of the cabinet.**
- Usage and maintenance manual.
- **Packaging with "Tipping over system®" device.**

COMPARTMENT FOR CHEMICALS ACIDS BASES PRODUCTS

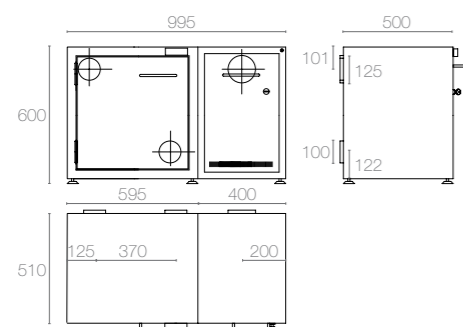
- **Bottom basin with drilled shelf**, made of electrogalvanized steel painted with epoxide acid-proof dusts.
- **Predisposed for activated charcoal filter in grains CARBOX®**
- **Electroaspirator IMQ IPX4**, in compliance with EN 60335-1, EN 60335-2-80 and EN 50366 norms with ON/OFF lamp.
- Input voltage: Volt 220/230.
- Max absorbed power: 65W.

COMPARTMENT FOR FLAMMABLES PRODUCTS

- Fire-proof insulation made of highly fire resistant material, completely ecological.
- **Double, inflatable and anti-dust trimmings, and with protection against "cold and hot fumes".**
- Door's closure with **thermic device at 50°C. Not electric.**
- **Patented safety catch "Ignis-lock®"** that keeps the doors closed in case of fire.
- Two mechanical certified safety valves with automatic closure at 70 ± 10°C. (Ø 100 mm).
- **Bottom basin** with drilled shelf, made of electrogalvanized steel painted with epoxide acid-proof dusts.

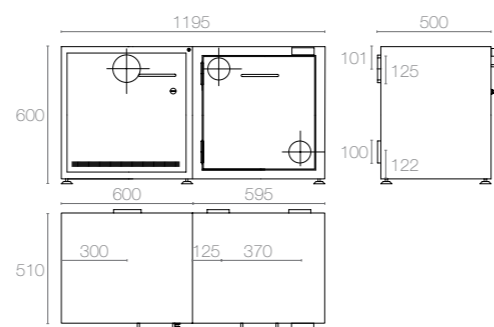
OTHER AVAILABLE MODELS FOR FLAMMABLES COMPARTMENT

- Possibility to supply the cabinet with extractable drawer.



KEMFIRE® 1000/50 TYPE A

•External dimensions (LxDxH): 995x510x600 mm
•Internal dimensions compartment for chemicals (LxDxH): 320 x 460 x 560 mm
•Internal dimensions compartment for flammables (LxDxH): 430x395x445 mm
•Weight: 140 Kg
•Storage capacity: ~85+75 lt
•Shelf loading: 80/100 kg



KEMFIRE® 1200/50 TYPE A

•External dimensions (LxDxH): 1195x510x600 mm
•Internal dimensions compartment for chemicals (LxDxH): 510x470x551 mm
•Internal dimensions compartment for flammables (LxDxH): 430x395x445 mm
•Weight: 145 Kg
•Storage capacity: ~132+75 lt
•Shelf loading: 80/100 kg

KEMFIRE® 1500/50 TYPE C

KEMFIRE® 1700/50 TYPE A

Cabinet in compliance with EN 14727, EN 61010-1, EN 14470-1 and PPP 52125A.
"TYPE 90" fire resistance - 90 minutes.
TÜV and CE certified.



KEMFIRE®
1500/50 TYPE C



- Completely produced in pickled steel, 10/10 mm thickness, painted with epoxide acid-proof dusts and passage through thermic tunnel at 200°C. Thickness of painting from a minimum of 60µm (micron) to a maximum of 250µm (micron) as per UNI EN ISO 9001 procedure.
- **External monolithic construction, internal body resistant to corrosive products.**
- Security lock with key and extractable cylinder.
- "Danger" warning stickers (DIN 4844 and ISO 3864).
- Grounding connection to discharge build-up of static electricity.
- Levelling feet for balance.
- **"Product and public liability insurance" valid for all lifelong of the cabinet.**
- Usage and maintenance manual.
- **Packaging with "Tipping over system®" device.**

COMPARTMENT FOR CHEMICALS ACIDS BASES PRODUCTS

- **Bottom basin with drilled shelf**, made of electrogalvanized steel painted with epoxide acid-proof dusts.
- **Predisposed for activated charcoal filter in grains CARBOX®**
- **Electroaspirator IMQ IPX4**, in compliance with EN 60335-1, EN 60335-2-80 and EN 50366 norms with ON/OFF lamp.
- Input voltage: Volt 220/230.
- Max absorbed power: 65W.

COMPARTMENT FOR FLAMMABLES PRODUCTS

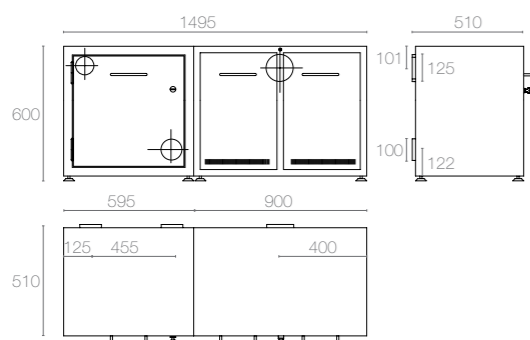
- Fire-proof insulation made of highly fire resistant material, completely ecological.
- **Double, inflatable and anti-dust trimmings, and with protection against "cold and hot fumes".**
- Door's closure with **thermic device at 50°C. Not electric.**
- **Patented safety catch "Ignis-lock®"** that keeps the doors closed in case of fire.
- Two mechanical certified safety valves with automatic closure at 70 ± 10°C. (Ø 100 mm).
- **Bottom basin** with drilled shelf, made of electrogalvanized steel painted with epoxide acid-proof dusts.

OTHER AVAILABLE MODELS FOR FLAMMABLES COMPARTMENT

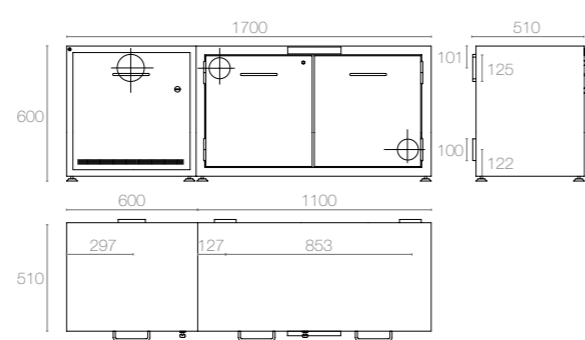
- Possibility to supply the cabinet with extractable drawer.



KEMFIRE®
1700/50 TYPE A



KEMFIRE® 1500/50 TYPE C
 -External dimensions (LxDxH): 1495x510x600 mm
 -Internal dimensions compartment for chemicals (LxDxH): 450x450x465x555 mm
 -Internal dimensions compartment for flammables (LxDxH): 430x355x537 mm
 -Weight: 210 Kg
 -Storage capacity: ~224+75 lt
 -Shelf loading: 80/100 kg



KEMFIRE® 1700/50 TYPE A
 -External dimensions (LxDxH): 1700x510x600 mm
 -Internal dimensions compartment for chemicals (LxDxH): 530x465x555 mm
 -Internal dimensions compartment for flammables (LxDxH): 935x395x445 mm
 -Weight: 265 Kg
 -Storage capacity: ~147+164 lt
 -Shelf loading: 80/100 kg



KIT05
CERTIFIED device
to pour liquids
for underbench
cabinets.



**EXHAUST FUMES
CONVEYOR**



**ANTI-SPARK
OR ATEX
ASPIRATORS**
220V/230V.



**INTERNAL
FILTRATION
SYSTEM**
with activated
charcoal filter and
Cunctator®.



CUBETTO®
Controlled cooling unit for safety
cabinets **Safetybox®** with
recorded memory device.

ECOBIX® PVC
Container for
polluting liquids
with full/empty
signaling device.
Customized
dimensions.



**STAINLESS
STEEL ECOBOX®**
Container for
polluting liquids with
full/empty signaling
device. Customized
dimensions.



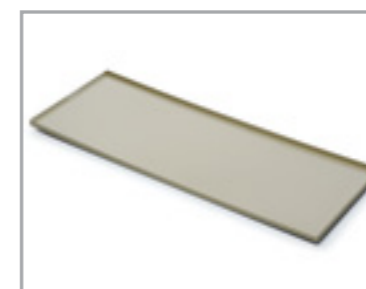
**ANTIMICROBIAL
PAINT**
to prevent any
bacteria proliferation
on the treated
surfaces, through
release of silver
ions.



**ADDITIONAL
SHELVES**
made of acid-proof
painted steel or AISI
304 STAINLESS
STEEL.



**PROPYLENE
BASIN**
Possibility to supply
the shelves with PP
basin.



**ACTIVATED
CHARCOAL
FILTER**
on demand
treated for
formaldehyde
and other
substances.



KIT01
Aspirator and filter
for chemicals,
acids, bases
storage cabinets.



TOUCH CODE
Opening doors'
system through
fingerprint detection,
with ability to record
multiple users.

